

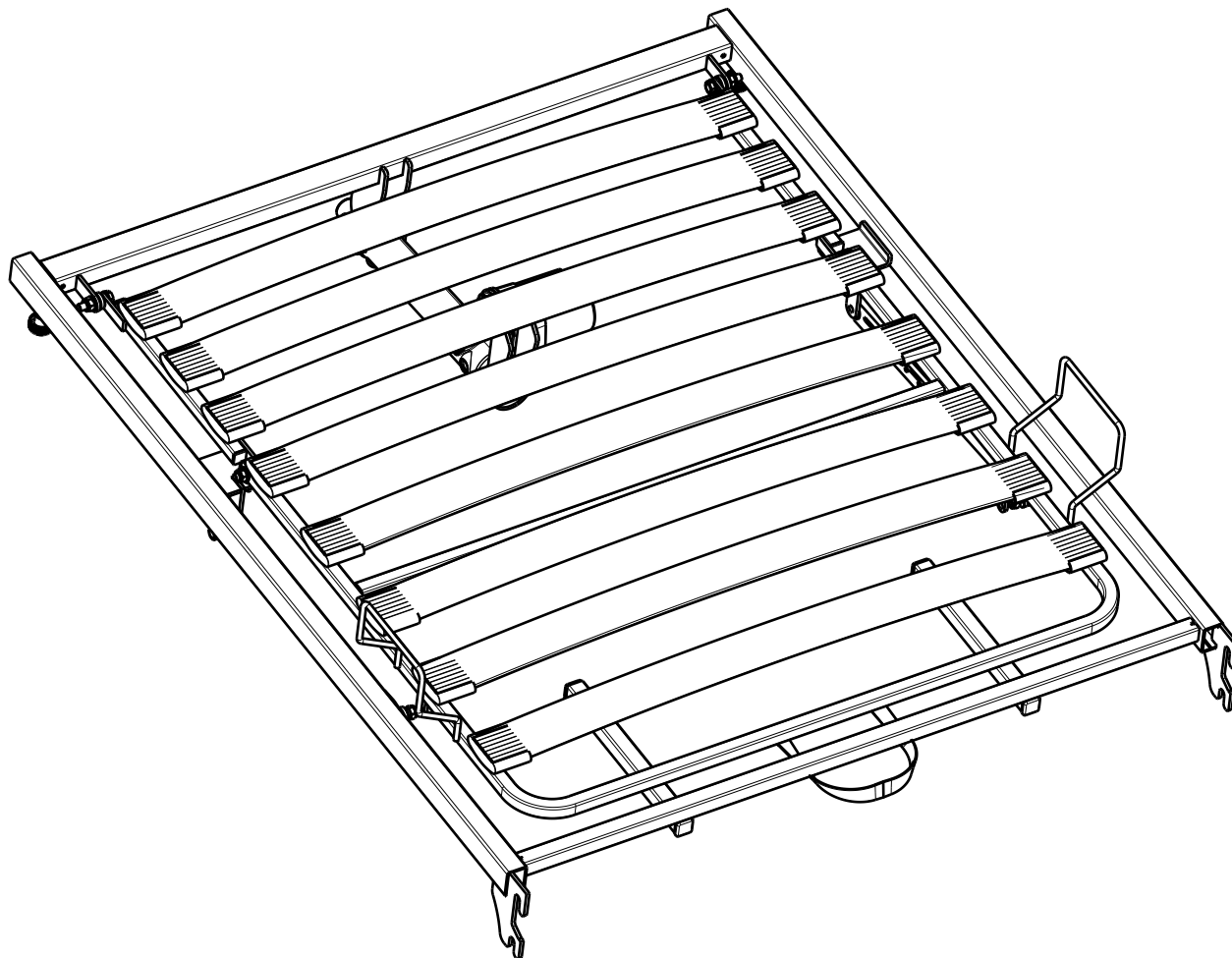
A (1:3)

NOTICE: THE INFORMATION CONTAINED ON THIS DRAWING IS PROPRIETARY TO VERMEIREN GROUP AND SHALL NOT BE DISCLOSED IN WHOLE OR IN PART, OR USED FOR ANY DESIGN OR MANUFACTURE, EXCEPT WHEN SUCH USER POSSESSES DIRECT WRITTEN AUTHORISATION FROM VERMEIREN GROUP.

FOOT SIDE WOODEN LATHS / CLUB VARIO ^{1/2}

Scale:	1:7	Drafted	Verified	Confirmed
Date	2022-10-20	2023-09-19	2023-09-19	
Initials	OY	OY	AZ	

Plan No.
E00045756/D1.1



No.	Plan	Article	Qty
1	P00033164	2650037	1
2	P00033167	2995472	16
3	P00033414	2649837	1
4	P00043637DP	2660337	1
5/5*	X001016	1001682	4/8*
6/6*	X002480	1993793	2/6*
7	XP01421	2993116	8
8*	D4,8x13 DIN7983	1006072	2
9	---	1001637	2
10	D8,4 DIN125	1003199	8
11	Cap 15x15	1005899	6
12	Motor LA24	1918549	1
13	P00058901	2997834	2
14*	P00045881	2997529	1
15	Pen D10x50	1998885	2
16	Cap 20x20	1001612	4
17*	M8x20 DIN 933	1009400	4
18	M8x35 DIN 933	1001444	4
19*	---	1909002	2

* - option

NOTICE: THE INFORMATION CONTAINED ON THIS DRAWING IS PROPRIETARY TO VERMEIREN GROUP AND SHALL NOT BE DISCLOSED IN WHOLE OR IN PART, OR USED FOR ANY DESIGN OR MANUFACTURE, EXCEPT WHEN SUCH USER POSSESSES DIRECT WRITTEN AUTHORISATION FROM VERMEIREN GROUP.

FOOT SIDE WOODEN LATHS / CLUB VARIO ^{2/2}

Scale:	1:7	Drafted	Verified	Confirmed
Date	2022-10-20	2023-09-19	2023-09-19	
Initials	OY	OY	AZ	

Plan No.
E00045756/D1.1

