

VERMEIREN

Timix



INSTALLATION MANUAL



Content

Preface	2
1 This product	3
2 Scope of delivery	4
3 Assembly and adjustments	5
3.1 Tools.....	5
3.2 Adjusting the wheelchair to the user.....	6
3.2.1 Seat depth.....	6
3.2.2 Seat inclination (manual adjustment).....	6
3.2.3 Width between armrests.....	7
3.2.4 Armrest length.....	7
3.2.5 Armrest lowest and highest angular position.....	8
3.2.6 Footrest width (Footrest B06 or BZ7EF).....	8
3.2.7 Footrest length B06.....	8
3.2.8 Leg rests BZ7/BZ8 adjustments.....	9
3.2.9 Footrest BZ10E adjustments.....	10
3.2.10 Operating console.....	11
3.3 Changing the battery.....	11
3.4 Changing wheels or tyres.....	12
3.4.1 Driving wheels (Front wheels).....	12
3.4.2 Steering wheels (Rear wheels).....	13

Preface

To support you on the installation and repairs of this electric wheelchair, we provide you with this installation manual. Please read it carefully. If you still have questions after reading this manual, do not hesitate to contact Vermeiren.

The information in this manual applies to the following wheelchair(s):

- Timix

Important note

Pictures of the product are used to clarify the instructions. Details of the shown product may deviate from your product.

Available information

On our website <http://www.vermeiren.com/> you will always find the most recent version of the information described in this manual. Please consult this website regularly for possible updates.

Visually impaired people can download the electronic version of this manual and have it read out by means of a text-to-speech software application.



User manual
For user and specialist dealer



User manual of applied operating console and battery charger.
For user and specialist dealer



Installation instructions (Instructions for detail adjustments and (dis)assembly)
For specialist dealer



Service manual for wheelchairs
For specialist dealer



Drawings of (spare) parts
For specialist dealer



EC declaration of conformity

1 This product



1. Backrest
2. Adjustable arm pads
3. Armrests
4. Operator control
5. Seat
6. Lights
7. Legrest(s)
8. Driving wheels (Front wheels)
9. Footplate
10. Battery cover
11. Identification plate
12. Steering wheels (rear wheels)
13. Base frame





2 Scope of delivery

The following items are part of the delivery:

- Framework with armrests, operator control, rear and front wheels, seat and backrest (optional: electrically adjustable seat, backrest, electrical lift)
- Footrests (*)
- Batteries
- Battery charger
- Tools
- User manual of:
 - wheelchair
 - operating console
 - battery charger
- Accessories (if applicable)

Before use, check if everything is included and that no products are damaged. Please note that the basic configuration may differ in different countries. Contact your specialist dealer.

(*) Type of footrest/leg rest depends on model.

3 Assembly and adjustments

**CAUTION**

Risk of injuries or damage

- The wheelchair needs to be (dis)assembled and adjusted by a specialist dealer according to the instructions in this chapter.
- Only use parts and tools described in this manual.
- Prevent bystanders from accessing the (dis)assembling area.
- Keep the (dis)assembling area clean and tidy, to prevent falling.
- Collect all small parts in a box or bag.
- While (dis)assembling and operating the wheelchair, make sure no objects or body parts get caught between moving parts. In particular, pay attention to the position of the cables.
- Turn the wheelchair off before you perform any mechanical adjustments and make sure that the free-wheel lever is in braking position.
- Make sure all screws are firmly secured before driving.
- Software changes are only allowed if executed by skilled personnel, taking into account the user and environment (stability, acceleration, indoor/outdoor, etc.).

**Important remarks**

- Read the user manual of this wheelchair.
- Be aware of the technical details and limits of intended use; see the user manual.
- For more information, contact Vermeiren.

3.1 Tools

To (dis)assemble and adjust the wheelchair, the following tools are needed:

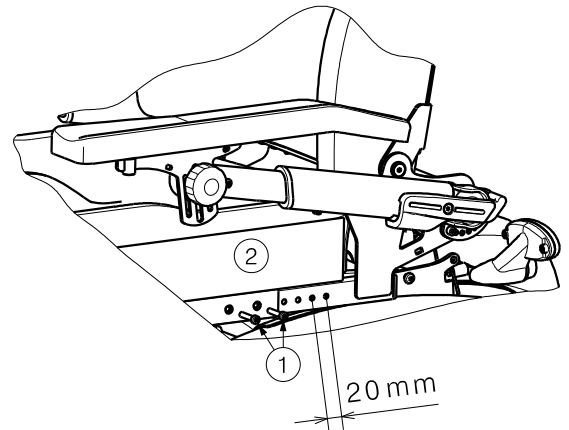
- Wrench set no. 10 to no. 13
- Allen keyset no. 4 to no. 6
- Screwdriver

3.2 Adjusting the wheelchair to the user

3.2.1 Seat depth

The seat is adjustable in 6 different seat depth settings:

1. Loosen the two M6 socket screws (1) on either side of the frame.
2. Slide seat frame (2) backwards or forwards to get the desired position. Make sure that inner and outer tube holes are in line.
3. Insert the 4 socket screws (1) and tighten the nuts firmly.



3.2.2 Seat inclination (manual adjustment)

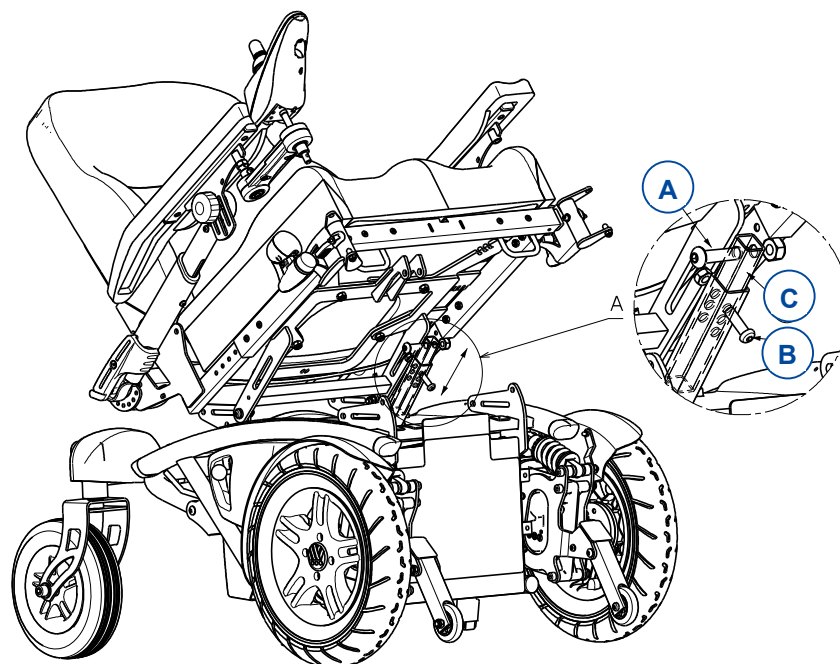
CAUTION

Risk of damage

- Ask assistance to prevent the mounting frame with seat from falling during adjustment.

To adjust the seat inclination manually (3 positions):

1. Remove the footrests.
2. Remove the screw (A) that connects the seat frame with the lower frame.
3. Fold the seat frame backwards.
4. Check that the seat frame stays backwards or ask someone that can hold the seat frame to the back.
5. Remove the screw (B).
6. Move the inner square tube (C) until the desired seat angle.
7. Retighten the screw (B).
8. Fold the seat frame back to the front.
9. Retighten the screw (B).
10. Replace the footrests.
11. Check that the seat frame is firmly fixated.



3.2.3 Width between armrests

 CAUTION Risk of injuries

The maximum width is indicated by two triangles on each side of the seat, see picture. The outer triangles may not be covered by the frame tube.



To adjust the width of the armrests:

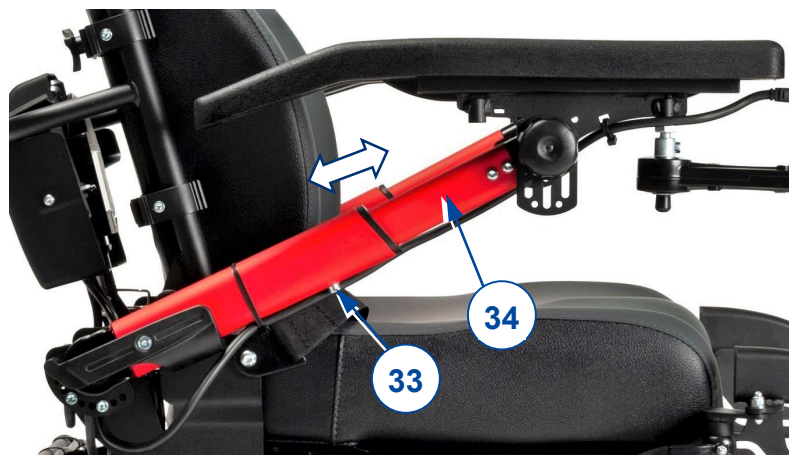
1. Loosen the two M8 socket screws (32) at the bottom of the seat frame, behind the securing hooks.
2. Adjust the armrest to a comfortable width.
3. Tighten the socket screws (32) firmly.
4. Repeat this at the other side of the wheelchair.
5. Make sure the armrests are positioned identically on both sides of the seat.



3.2.4 Armrest length

The telescopic armrest can be adjusted in 6 positions as follows:

1. If necessary, cut the cable ties that hold the power cable of the console.
2. Loosen the socket screw (33).
3. Slide the inner tube (34) in/out to the desired length.
4. Insert socket screw (33) and tighten properly.
5. Repeat this for the second armrest.
6. Make sure both armrests have the same length.
7. Make sure that both armrests are firmly secured.
8. Tighten the cable with cable ties.



3.2.5 Armrest lowest and highest angular position



CAUTION

Risk of injuries

Always use two socket bolts and two adjustment holes to tighten the armrest. Never exceed the maximum angular adjustment (holes).

To change the end position of the turning angle:

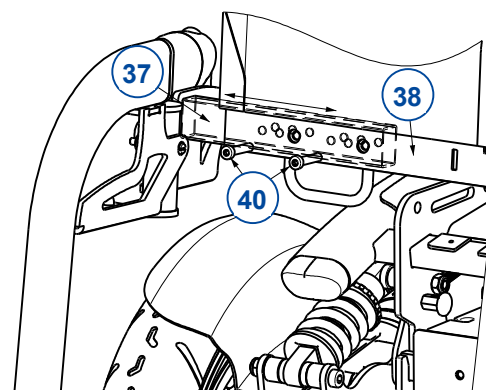
1. Hold the armrest and remove the two socket screws (35).
2. Turn the armrest support at the toothed clamp (36).
3. Make sure that the holes of inner and outer clamp part match.
4. Insert the two socket bolts again and tighten.
5. Repeat this for the second armrest.
6. Make sure both armrests have the same end positions.
7. Make sure that both toothed clamps (36) are firmly secured.



3.2.6 Footrest width (Footrest B06 or BZ7EF)

The width between the footrests can be adjusted in 3 positions, over 30 mm by adjusting the front of seat frame.

1. Remove the footrests.
1. Remove the two M6 socket screws (40) on either side of the seat frame front.
2. Slide the footrest supports (37) in/out of the seat frame front (38) to get the desired position. Make sure that inner and outer tube holes are in line.
3. Insert the 2x2 socket screws (40) and tighten the nuts firmly.
4. Make sure the footrest supports are positioned identically on both sides of the seat.
5. Reinstall the footrests/footplate.



3.2.7 Footrest length B06

CAUTION

Risk of damage

- Avoid that the footrests make any contact with the ground. Keep a minimum distance of 50 mm above the ground.

1. Remove the screw (39).
2. Adjust the length of the footrest to a comfortable length (range: 120 mm, steps 20 mm).
3. Tighten the screw (39) properly.

Check that the footrests are positioned identically on both sides.



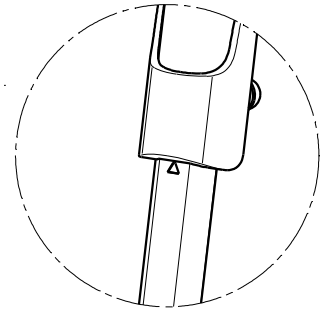
3.2.8 Leg rests BZ7/BZ8 adjustments

Leg rest length

 CAUTION Risk of injuries or damage

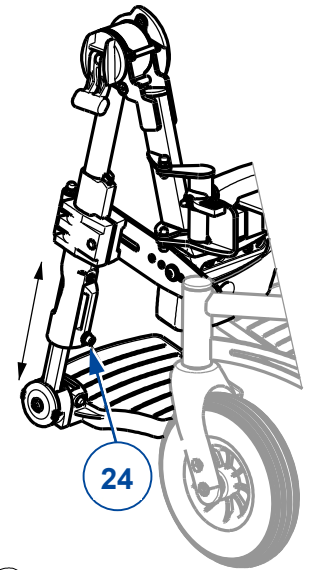
The maximum length of the footrest is limited to the length indicated by a triangle on the front of the footrest tube, see picture. This maximum length adjustment is not possible in sitting position; the footplates will touch the ground.

Make sure that the distance to the ground in sitting position is minimal 60 mm to avoid touching small obstacles and to prevent damage to the footrest.



To adjust the length of the legrests:

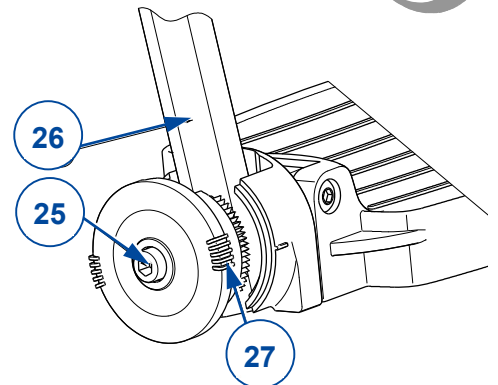
1. Remove the socket screw (24) on the back of the footrest.
2. Adjust the footrest to a comfortable length.
3. Retighten the socket screw firmly.
4. Repeat for the second footrest. Make sure that the footrests are positioned identically.



Footplate angle

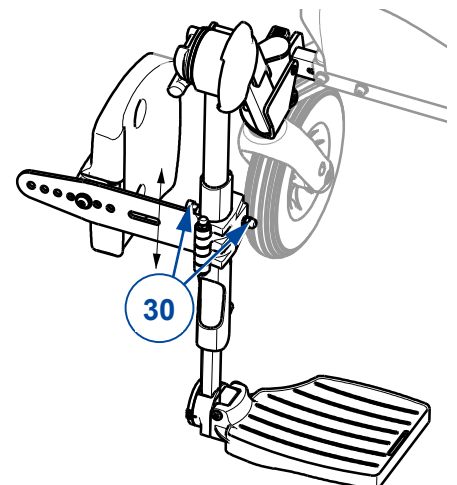
To adjust the angle of the footplate at its toothed clamp:

1. Loosen the socket screw (25) on the footrest (26).
2. Turn the footplate in the desired angle (80°- 100°). The dashes (27) on the toothed clamp indicate the angular positions.
3. Retighten the socket screw (25).
4. Repeat for the second footrest.



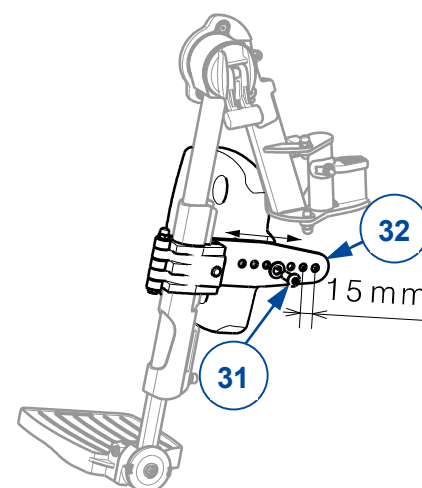
Calfrest height

1. Turn the calfrest outwards.
2. Loosen the socket screw (30) that clamps the calfrest support on the footrest.
3. Slide the calfrest up/down to a comfortable position (step less).
4. Retighten the socket screw (30) with nut.
5. Repeat this for the second calf rest. Make sure that the calf rests are positioned identically.

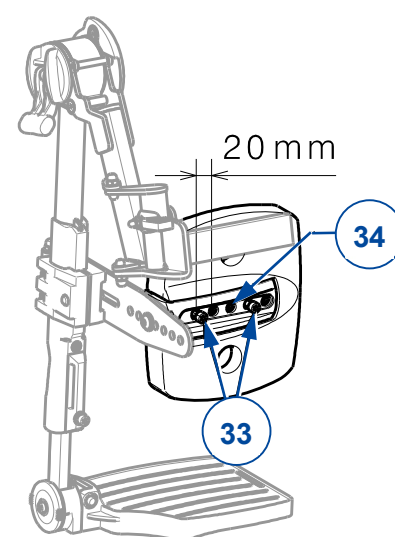


Calfrest depth

1. Loosen the socket screw (31) on the calfrest support (32).
2. Adjust the depth of the calfrest to a comfortable position (7 positions available).
3. Retighten the socket screw (31).
4. Repeat for the second calfrest. Make sure that the calfrests are positioned identically.

**Width between calfrests**

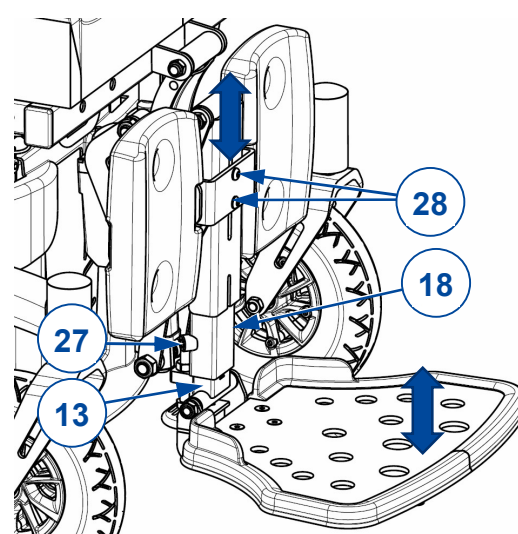
1. Loosen the two socket screws (33) on the back of the calf rest.
2. Adjust the width to a comfortable position (2 positions available). Do not use the hole (34) in the middle!
3. Retighten the two socket screws (33).
4. Repeat for the second calfrest. Make sure that the calf rests are positioned symmetrically.

**3.2.9 Footrest BZ10E adjustments****Footplate height**

1. Loosen the M8 set screw (27) a few turns.
2. Slide the footrest (13) up/down in footrest support (18) to the desired position.
3. Retighten set screws (27) firmly.

Calf rest height

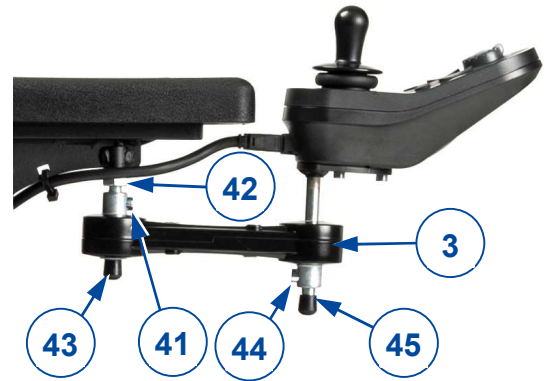
1. Remove the calfrest cushion.
2. Loosen both M6 socket screws (28).
3. Slide the calfrest support up/down on the footrest support (18) to the desired position.
4. Retighten both socket screws (28) firmly.
5. Reinstall the calf rest cushion.



3.2.10 Operating console

Mounting position left or right

1. Cut the cable ties and unplug the power cable from the operating console.
2. Hold the control with its support (3) while removing M6 socket screw (41).
3. Loosen hex nut (42) and demount shaft (43) from the armrest.
4. Mount shaft (43) in the other armrest and lock it with hex nut (42).
5. Mount the control support (3) with socket screw (41) on the shaft (43).
6. Make sure all connections are well secured.
7. Guide the cable and plug the cable in the operating console.
8. Tie the cable to the back of the wheelchair subframe and on the armrest with cable ties. Make sure that the cable is long enough to make the adjustment of armrest and console possible.



Operating console - height

The height of the operating console can be adjusted in 2+4 positions, or 6+4 positions depending on the type of shaft:

1. Hold the control while removing M6 socket screw (41).
2. Move the control support (3) up/down on shaft (43) and mount the socket screw (41).
3. If necessary adjust the height of the console on shaft (45) in the same way and lock it with socket screw (44).
4. Make sure all connections are well secured.
5. Guide the cable and plug the cable in the operating console.

3.3 Changing the battery



CAUTION

Risk of injuries and damage

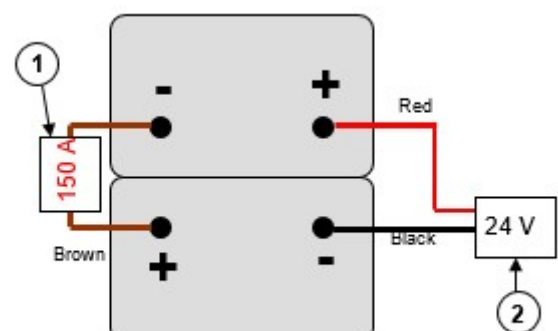
- The batteries must only be replaced by trained personnel
- Do not come into contact with the acid from the batteries.
- Replace the batteries in a well-ventilated room.
- Make sure that the ventilation holes of the battery housing are free from any contaminations.
- First read the charging instructions in the user manual before charging the batteries.

1. Take off the rear battery cover by removing the knobs on the top and bottom. You can now reach the batteries.

Replace both batteries at the same time and with the same type as the ones used in the wheelchair. If this is not possible, contact the nearest Vermeiren facility.

Battery connections:

- 1) Blow fuse
- 2) Plug (electronic system)



3.4 Changing wheels or tyres



CAUTION

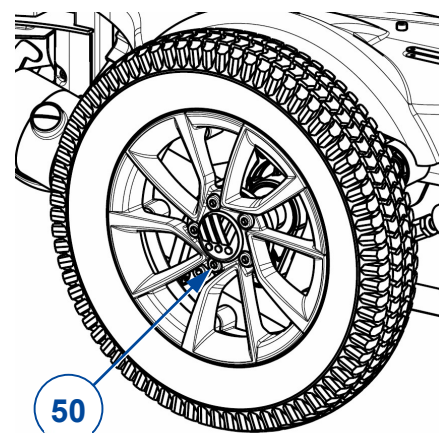
Risk of injuries and damage

- Make sure that all air is released from the tyre, before removing it.
 - Use a wooden block and jack to lift the wheelchair. Always place the jack under the lower frame, never under any other parts.
 - Make sure that no body parts, the inner tube nor any other objects are pinched between tyre and rim.
 - Handle carefully to prevent damage to the rim.
 - Make sure all screws are firmly secured by hand before driving with the wheelchair.
1. Replace the innertube, and if necessary also the tyre.
 2. Inflate the tyre using inflating equipment which complies to regulations and with a pressure indication in “bar”.
 3. Make sure that the pressure is correct, see the pressure indication on the tyres.

3.4.1 Driving wheels (Front wheels)

i If a tyre needs to be replaced, first check the type of tyre that has been fitted. In case of a tyre with line profile, do not switch left and right tyre.

1. Lift the driving wheel from the ground using a jack.
2. Remove the socket screws (50) and take the wheel from the flange.
3. Open tyre valve and push it gently to release the air.
4. Loosen the 5 screws that connect both rim halves (on the inner rim half).
5. Separate the rim halves and remove the inner tube from the tyre.
6. Inflate the new or repaired inner tube partly.
7. Insert the inner tube into the tyre.
8. Place the two rim halves back on the tyre. Make sure that the tube valve pops out of the opening in the rim.
9. Connect the rim halves with the 5 socket screws. Tighten by hand.
10. Inflate the tyre at the correct pressure, see the indication on the tyre.
11. Remove grease and other contamination from the thread of the 5 flange socket screws (48). Apply screw adhesive (ex. Loctite) to these screws.
12. Mount the wheel on the flange.
13. Lower the jack.
14. Make sure the socket bolts are firmly secured.



3.4.2 Steering wheels (Rear wheels)

DISMANTLING

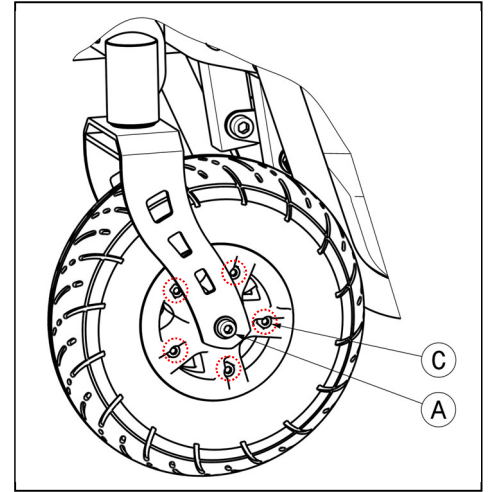
- A. Loosen the screw on the steering wheel axle and remove it from the steering wheel fork.
- B. Let the air out of the steering wheel by lightly pressing the pressure pin on the valve.
- C. Loosen the 5 screws that hold the split rim together.

Now separate the rim sides.

ASSEMBLY

Insert the partly-filled inner tube into the tyre.

- C. Connect the two sides of the rim through the tyres and use the 5 connecting screws to screw the rim together.
- B. Make sure that the valve juts out of the valve opening in the rim.
- A. Put the wheel back into the front wheel fork and inflate the wheel.





Vermeiren GROUP
Vermeirenplein 1 / 15
2920 Kalmthout
BE

website: www.vermeiren.com

Instructions for specialist dealer

This instruction manual is part and parcel of the product and must accompany every product sold.

Version: A, 2021-05

Basic UDI: 5415174 122127Timix 8N

All rights reserved, including translation.

No part of this manual may be reproduced in any form what so ever (print, photocopy, microfilm or any other process) without written permission of the publisher, or processed, duplicated or distributed by using electronic systems.

© Vermeiren Group 2021