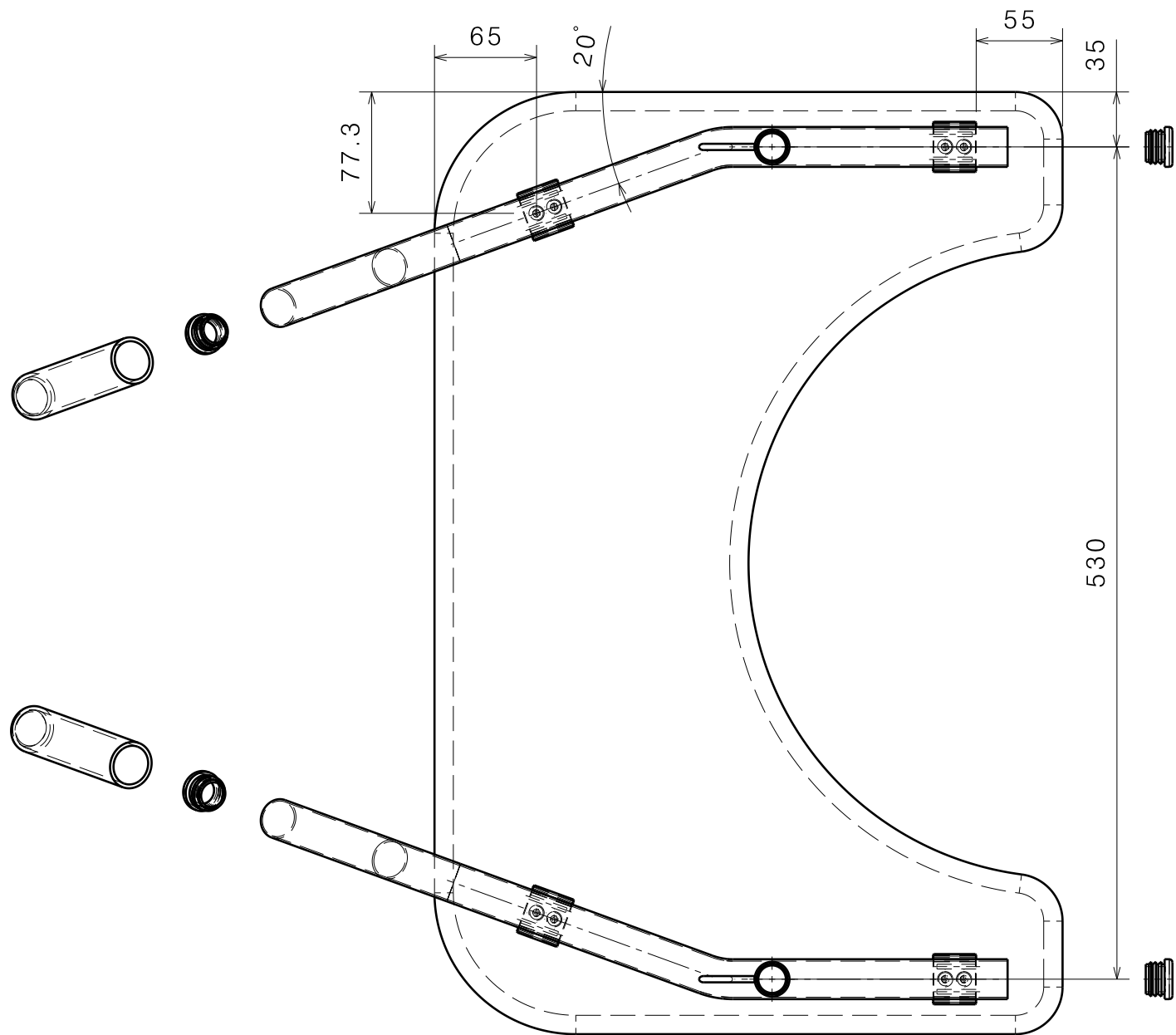


No./Nr	Plan/Nr rys.	Article/Nr art.	Number/Ilosc
1	YP00733	1826701	1
2	YP00732	1826601	1
3	---	1001608	4
4	---	1990766	2
5	XP00106	2990072	4
6	---	1005767	8
7		2990135	1

E000238 /E

EXPLODED VIEW B12 TYPE 268			1/2	Plan No. / Plannr.
				E000238/E
Scale / Schaal: 1:6	Drafted / Getekend	Verified / Nagezien	Confirmed / Bevestigd	
Date / Datum	26/07/2005	06/09/2012	06/09/2012	
Init. / Init.	MF	MK	TK	



E000238/E

EXPLODED VIEW B12 TYPE 268				Plan No. / Plannr.
2/2				E000238/E
Scale / Schaal: 1:4	Drafted / Getekend	Verified / Nagezien	Confirmed / Bevestigd	
Date / Datum	26/07/2005	06/09/2012	06/09/2012	
Init. / Init.	BS	MK	TK	