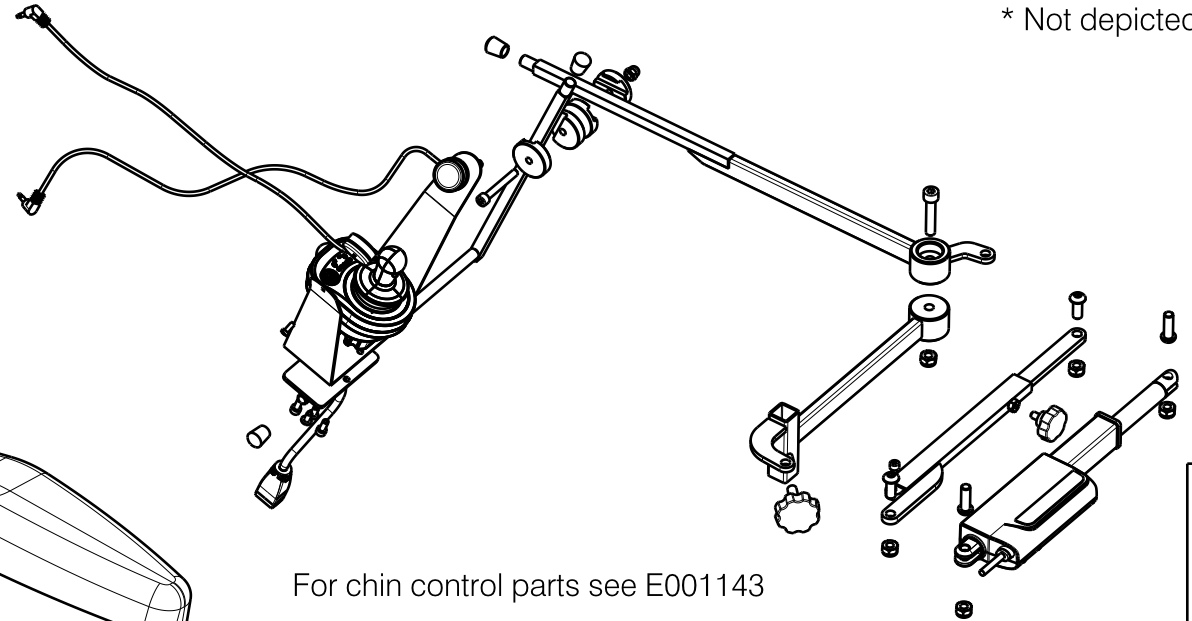


Material			
No.	Plan	Article	Quantity
1	X003727	1998900	2
2	X005707	1914011	1
3	Y023804	2075854	1
4	Y023805	2075954	1
5	DLX REM500	1913524	1
6	M6x50 ISO7380	1006997	1
7	M10x1X20 DIN961	1909106	1
8*	Linx 2 m	1912412	1
9	---	1917289	1
10	M5x10 ISO7380	1007063	2
11	M10 DIN127B	1001566	2

\* Not depicted



For chin control parts see E001143

2994875

E001144 / B

SE104 CHIN CONTROL WITH REM500				Plan No.
				E001144 / B
Scale: 1:4	Drafted	Verified	Confirmed	
Date	11/06/2020	20/11/2020	20/11/2020	
Initials	SD	SD	PJ	