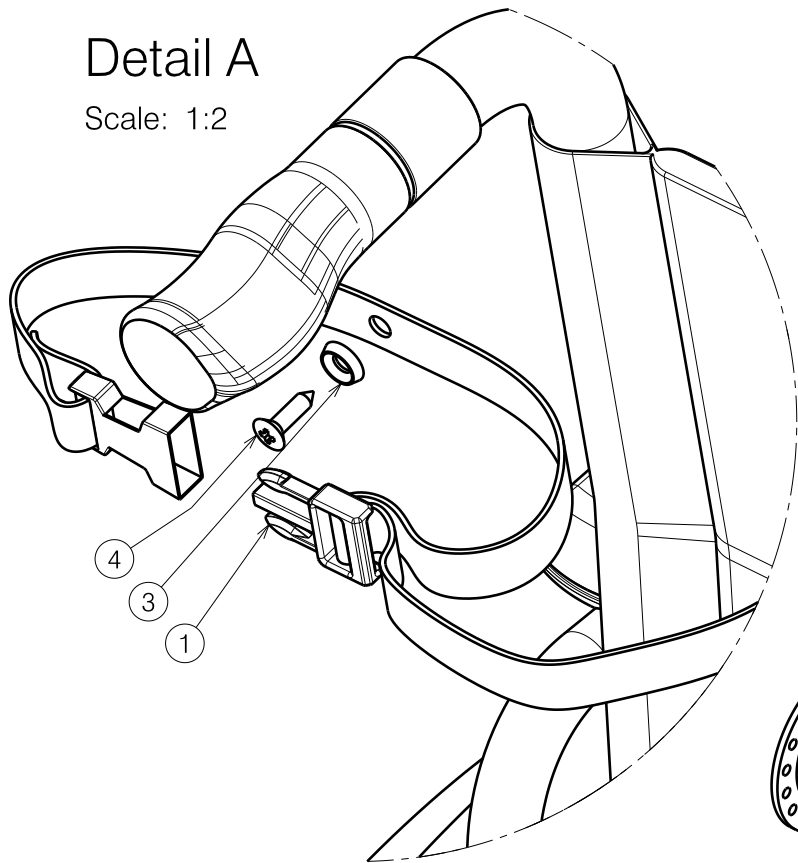


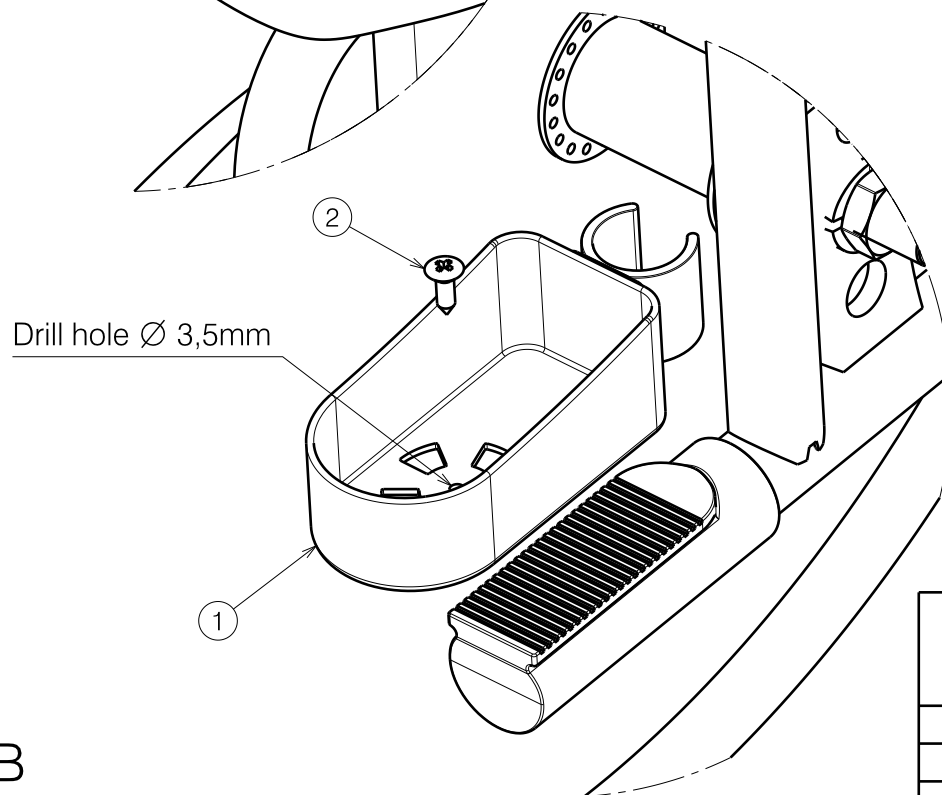
Detail A

Scale: 1:2

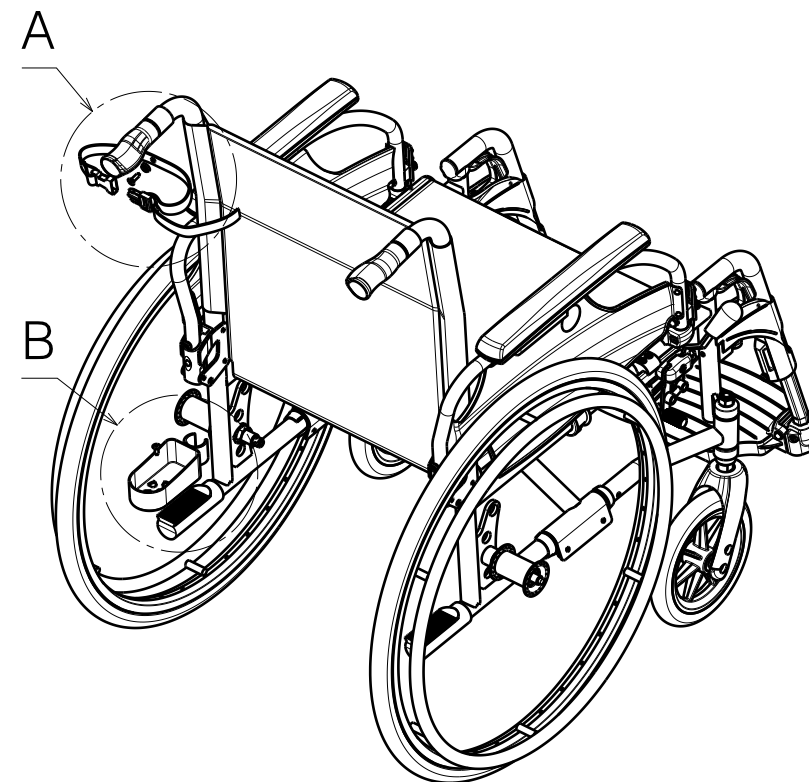


Detail B

Scale: 1:2



Material			
No.	Plan	Article	Quantity
1	---	1906614	1
2	---	1990816	1
3	X001473	1002994	1
4	---	1001534	1



E000684 / B

B31 CRUTCH HOLDER V100 B31 KRUKKENHOUDER V100				Plan No. E000684 / B
Scale: 1:10	Drafted	Verified	Confirmed	
Date	04/02/2011	04/02/2011	04/02/2011	
Initials	DD	SD	PJ	